

Instructions

Rack Mount Bracket

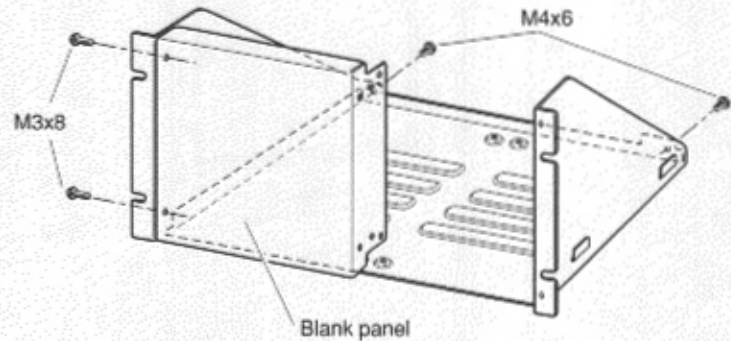
Model No. WV-Q52A

Before attempting to connect or install this product, please read these instructions carefully and save this manual for future use.

■ Assembling the Rack

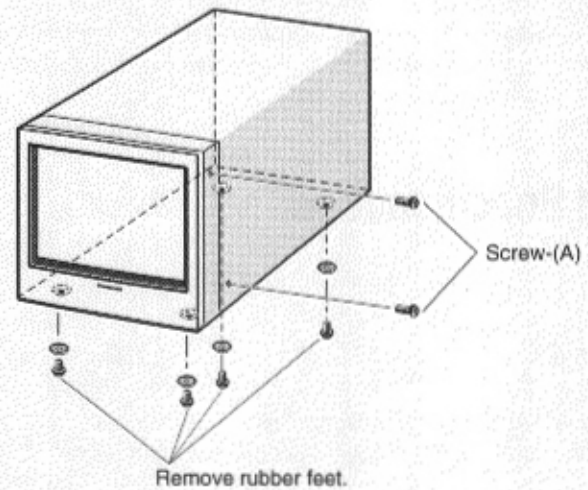
The installation described below should be made by qualified service personnel or system installers.

1. In case of mounting the monitor on the right side.



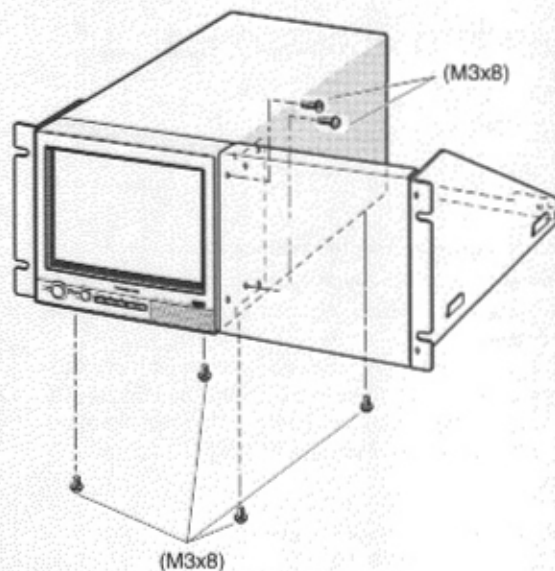
Illustrations as shown below are examples mounting the monitor on the left side.

2. Remove the four rubber feet by removing the four screws on the bottom and the screw-(A) from the WV-CM1020 Video Monitor.



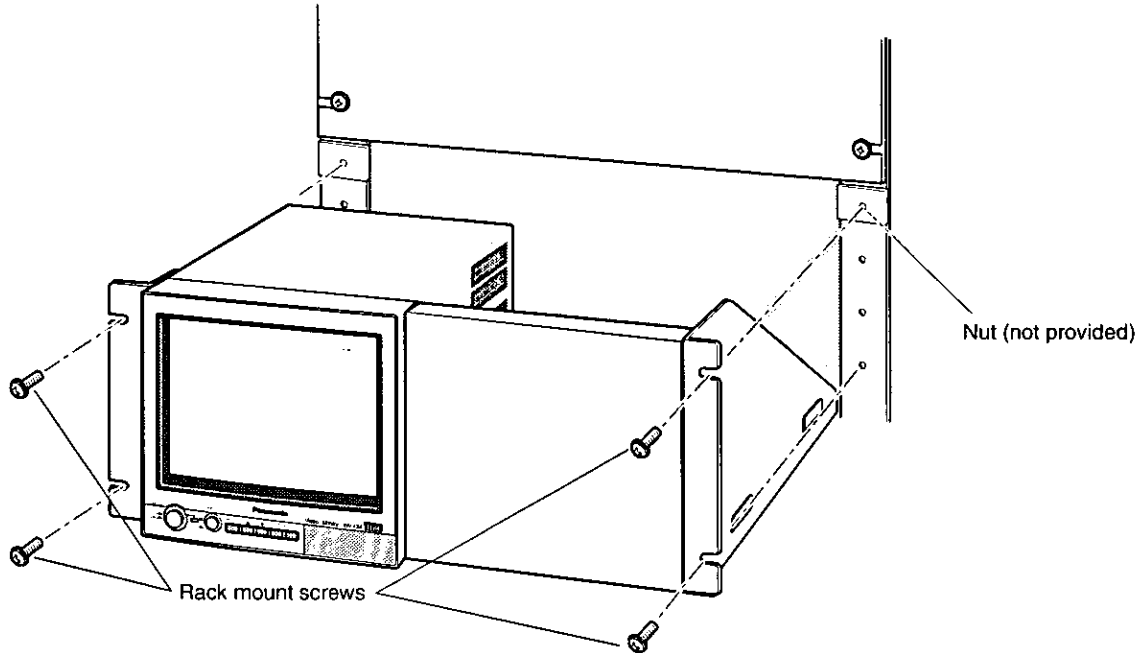
3. When mounting the monitor on the rack mount chassis, fix the monitor to the blank panel with M3x8 screws. Use four M3x8 screws to fix the monitor on the chassis.

Note: In case of mounting two monitors, it is unnecessary mounting to the blank panel.



■ Monitor Installing on the Rack

Install the rack mount chassis with monitor on the rack using four screws.



Cautions:

- Do not block the ventilation opening or slots in the cover to prevent the appliance from overheating. Always keep the temperature in the rack within +50°C (122°F).
- Secure the rear of the appliance to the rack by using additional mounting bracket (procured locally), if the rack is subject to vibration.

■ Specifications

Dimensions: 480(W) x 221(H) x 308(D) mm
[18-7/8"(W) x 8-11/16"(H) x 12-1/8"(D)]

Weight: 2.7 kg (6 lbs)

Weight and dimension indicated are approximate.
Specifications are subject to change without notice.

■ Standard Accessories

Screws for M4x6 2 pcs.
Screws for M3x8 8 pcs.

Panasonic Security and Digital Imaging Company
A Division of Matsushita Electric Corporation of America
Executive Office: One Panasonic Way 3E-7, Secaucus, New Jersey 07094
Regional Offices:

Northeast: One Panasonic Way, Secaucus, NJ 07094 (201) 348-7303
Southern: 1225 Northbrook Parkway, Suite 1-160, Suwanee, GA 30024 (770) 338-6838
Midwest: 1707 North Randall Road, Elgin, IL 60123 (847) 468-5211
Western: 6550 Katella Ave., Cypress, CA 90630 (714) 373-7840

Panasonic Canada Inc.
5770 Ambler Drive, Mississauga,
Ontario, L4W 2T3 Canada (905)624-5010

Panasonic Sales Company
Division of Matsushita Electric of Puerto Rico Inc.
Ave. 65 de Infanteria, Km. 9.5
San Gabriel Industrial Park, Carolina,
Puerto Rico 00985 (809)750-4300